



Product Producer **Zebra Technologies Corporation**
333 Corporate Woods Parkway
Vernon Hills, IL, 60061 U.S.A

Product Description Model: RCLI-DC Li-Ion Battery Charger
Model RCLI-AC Li-Ion Battery Charger

Hazardous Substances and Preparations

This product may contain the following substances:

- Hexavalent Chromium may be present in trace amounts in the metal fasteners, brackets, and other metal structural components.
- Lead may be present in the PCBAs used in the product.

Batteries

These products contain no batteries

Packaging

The packaging materials used for these products do not contain any of the banned materials listed in the EU packaging directive.

The printed user documentation included with these products is produced on paper with 50% or more recycled content that has not been bleached with chlorine. If a Compact Disc (CD) is supplied, it is made from a recyclable polycarbonate material.

Information on the assessment of the packaging scheme for these or other Zebra products can be found at: <http://www.zebra.com/environment>.

Recycling Information

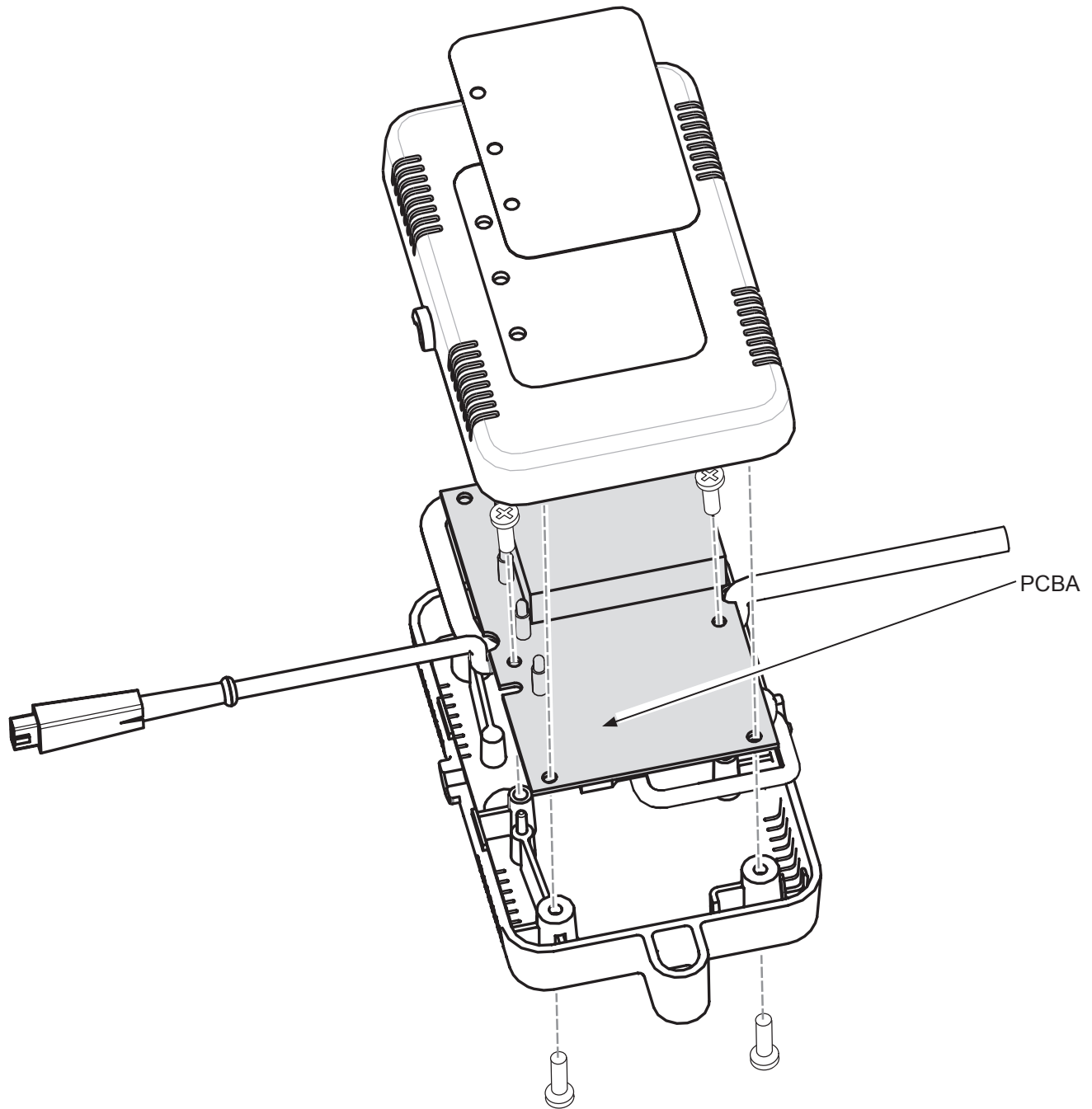
Zebra Technologies offers product recycling programs in certain geographic areas. To determine if a program is available for these products in your area, please refer to our web site at: <http://www.zebra.com/environment>.

These products are designed with the following features to enhance recycling:

- Glues and adhesives have been eliminated from product construction where feasible.
- Use of common fasteners and/or snap-in features
- Plastic parts weighing more than 25g are marked according to ISO 11469 standards except where impractical. Exceptions are noted in the following drawing.



Product Recycling Information
RCLI-DC, RCLI-AC
April 2005



This document was compiled from information available at the time of publication and is issued only as an information source. No warranty as to accuracy or completeness is expressed or implied. This document is subject to change without notice.

©2005 ZIH Corp. All product names and numbers are Zebra trademarks, and Zebra and the Zebra logo are registered trademarks of ZIH Corp. All rights reserved. Unauthorized reproduction, adaptation, or translation of this information without prior written permission is prohibited except as allowed under copyright laws and may result in imprisonment of up to one year and fines of up to \$10,000 (17 U.S.C.506). Copyright violators may be subject to civil liability

PRI-RCLI Rev. A