



Product Zebra Technologies Corporation

Producer 1 Zebra Plaza
Holtsville, NY 11742

Product Description MC3300
Series Mobile Computer

Hazardous Substances and Preparations The materials used in this product are RoHS compliant. This product contains the following items that may require special handling:

- PCB
- Scanner
- LCD Display
- Battery

Batteries This product contains a lithium-ion (Li-Ion) type battery located at the back of the product. Battery removal instructions can be found in the product user guide. This battery must be disposed of in accordance with local regulations.

Packaging The packaging materials used for this product do not contain any of the banned materials listed in the EU packaging directive.

The printed user documentation included with this product is produced on paper with 50% or more recycled content that has not been bleached with chlorine.

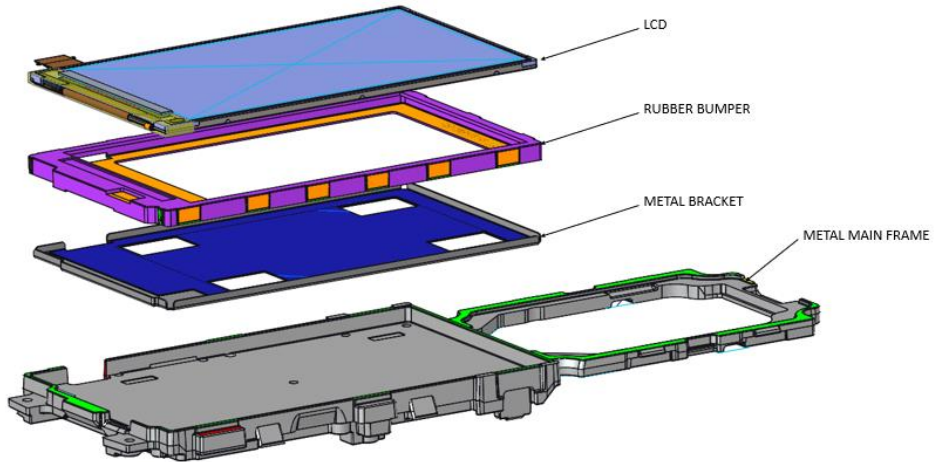
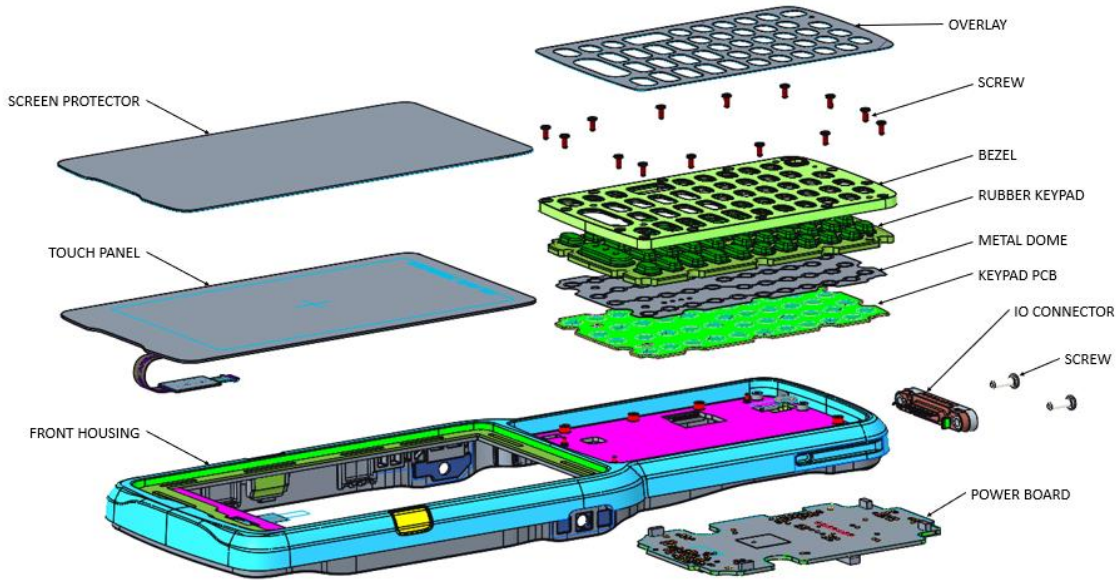
Information on the assessment of the packaging scheme for this or other Zebra products can be found at: <http://www.zebra.com/environment>.

Recycling Information Zebra Technologies offers product recycling programs in certain geographic areas. To determine if a program is available for this product in your area, please refer to our web site at: <http://www.zebra.com/environment>.

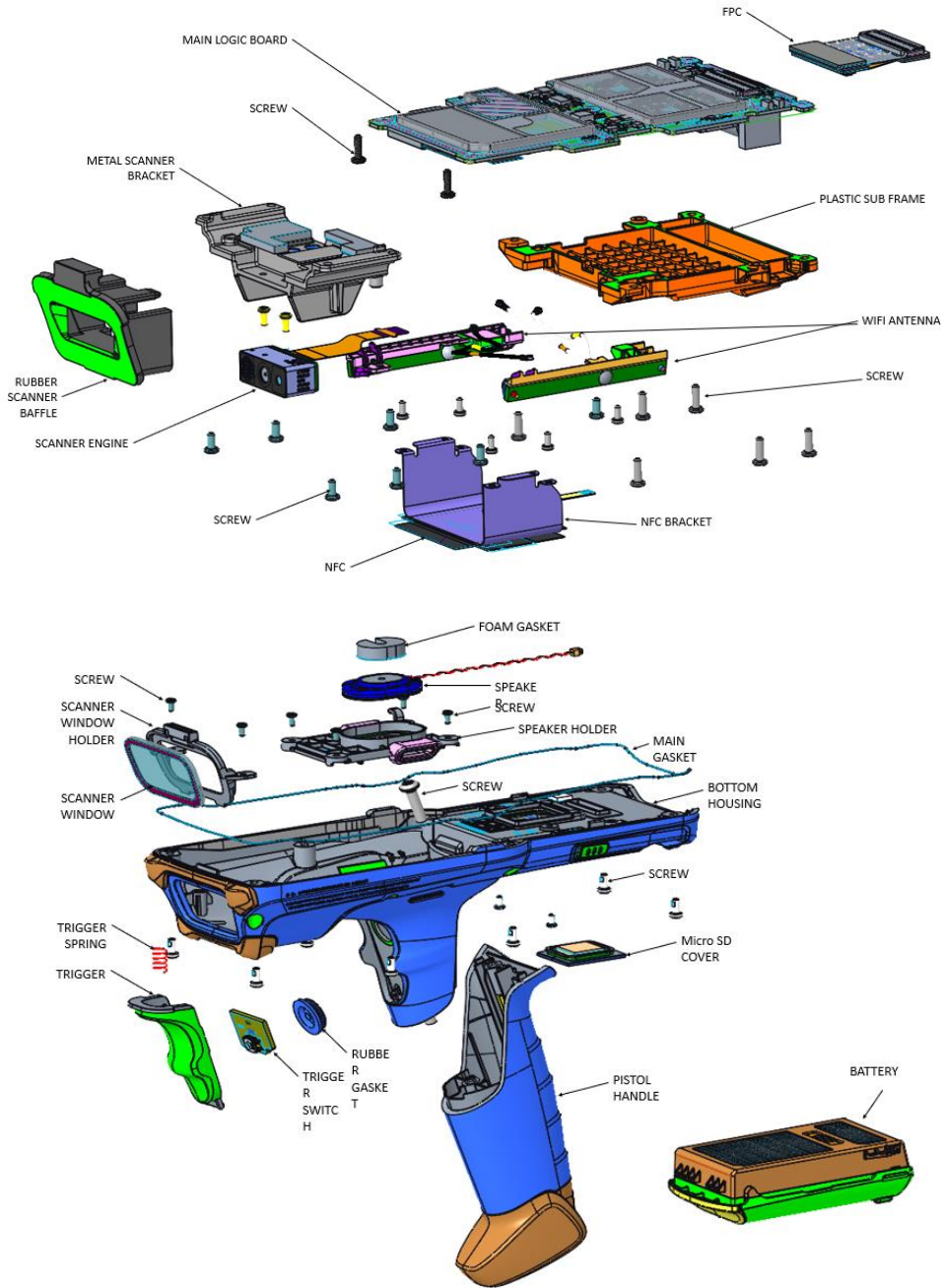
This product is designed with the following features to enhance recycling:

- Glues and adhesives have been eliminated from product construction where feasible.
- Use of common fasteners and/or snap-in features
- Plastic parts weighing more than 25g are marked according to ISO 11469 standards except where impractical.

MC3300 Gun

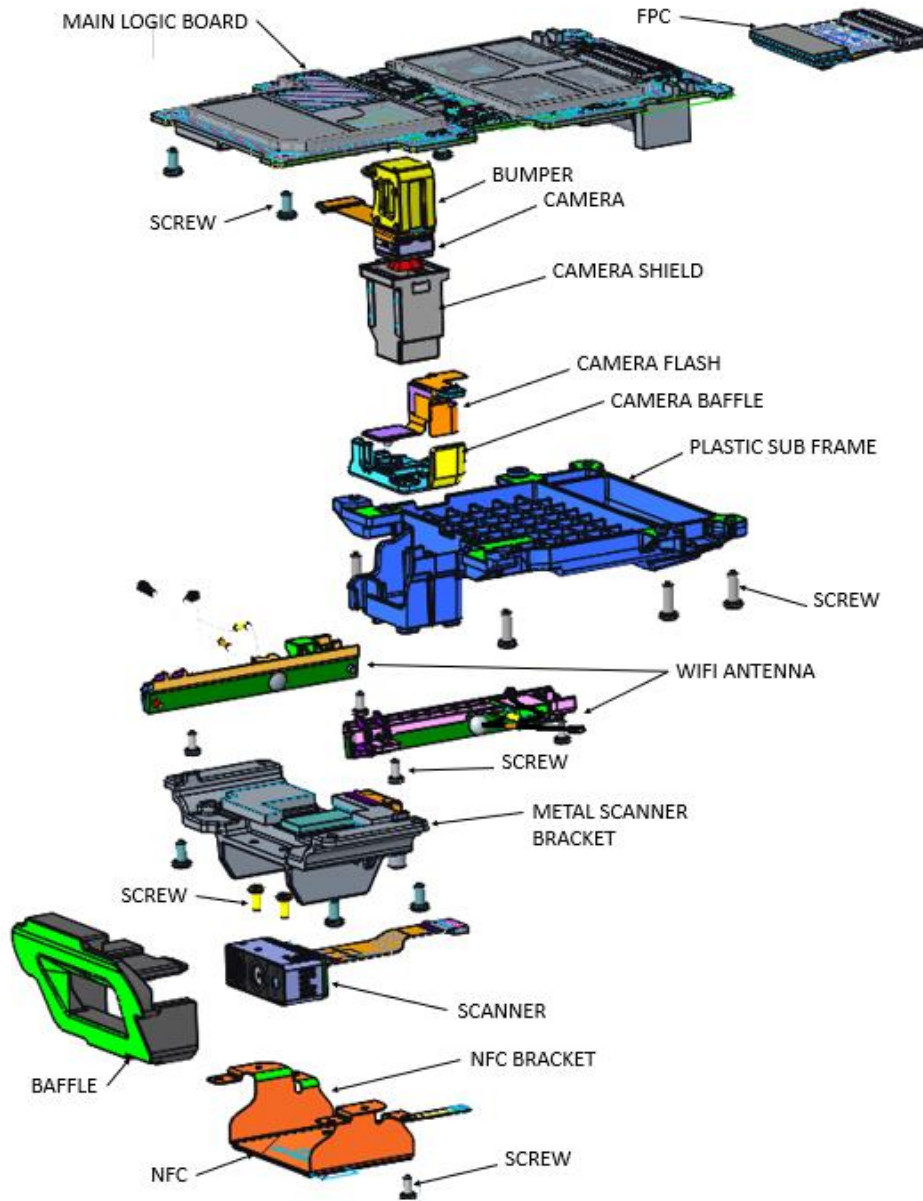


This document was compiled from information available at the time of publication and is issued only as an information source. No warranty as to accuracy or completeness is expressed or implied. This document is subject to change without notice.

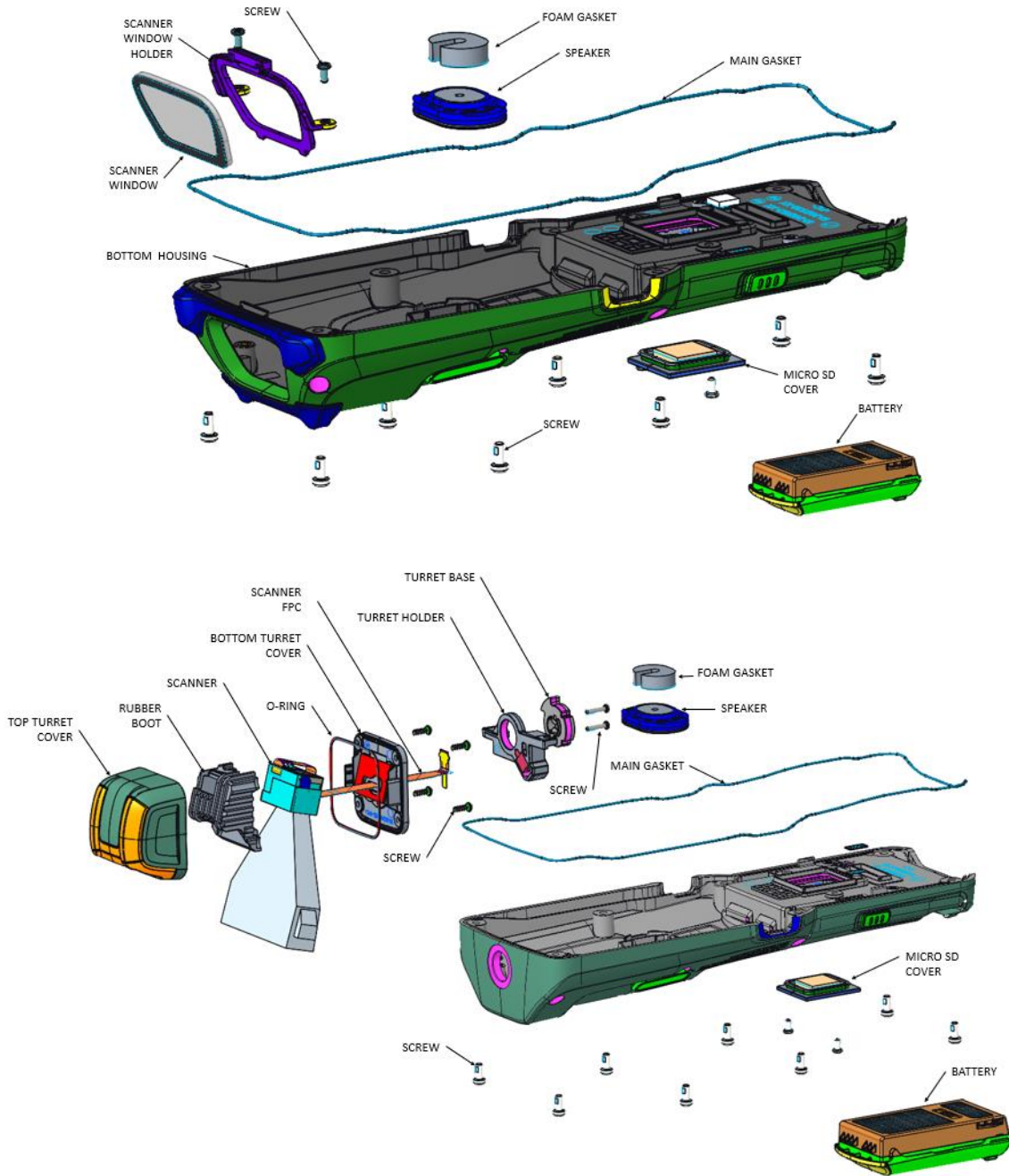


This document was compiled from information available at the time of publication and is issued only as an information source. No warranty as to accuracy or completeness is expressed or implied. This document is subject to change without notice.

MC3300 Brick



This document was compiled from information available at the time of publication and is issued only as an information source. No warranty as to accuracy or completeness is expressed or implied. This document is subject to change without notice.



This document was compiled from information available at the time of publication and is issued only as an information source. No warranty as to accuracy or completeness is expressed or implied. This document is subject to change without notice.